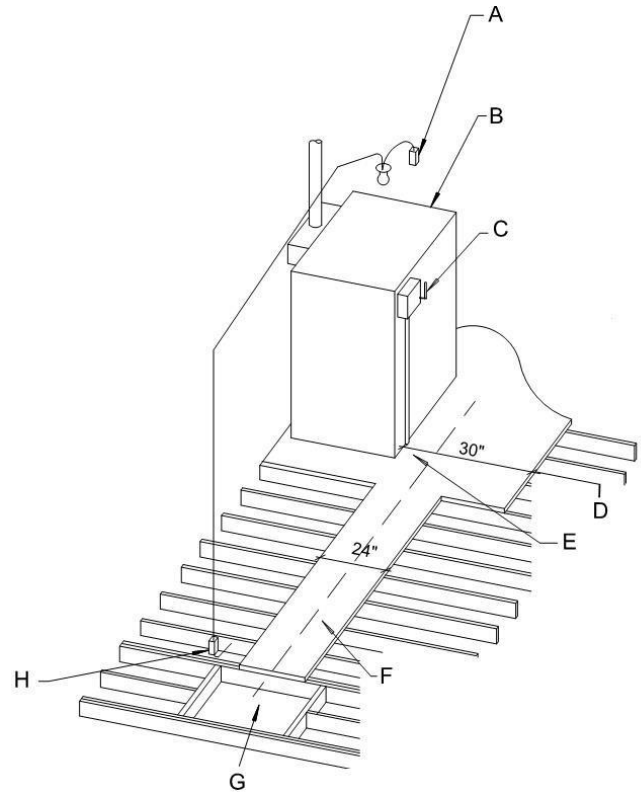




This Tip Sheet reflects code requirements of the 2015 International Residential Code (IRC) with Washington State Amendments.

This is a *sample detail* showing equipment installed in a residential attic. Compliance with the following code provisions shall be documented on plans submitted for permit.

- A. Lighting and receptacle outlet:** Must be provided per IRC M1305.1.3.1.
- B. Furnace or other appliance:** Indicate type of appliance, include make and model.
- C. Equipment disconnect switch:** Must be provided per IRC E4101.5.
- D. Service area:** A level, 30 inches minimum deep and 30 inches minimum wide, shall be provided on each side of the appliance where access is required.
- E. Clearances from combustible construction:** Provide per manufacturer's installation instructions. May require 26 gauge steel pan deck over plywood decking.
- F. Passageway:** To be unobstructed, have continuous solid flooring not less than 24 inches wide. Distance from access to equipment cannot exceed 20 feet.



- G. Attic access:** Large enough for removal of largest appliance, with a minimum opening of 22 inches by 30 inches.
- H. Light switch:** Near access opening

Trusses: Where trusses are used as attic floor framing, they shall be designed for load bearing.

Insulation: Insulation and ventilation space is required below the equipment.

Combustion air: All fuel burning appliances require that combustion air be provided, per IRC M1701.1.

Seismic support and attachment: In attic furnace installations, where the unit is not rigidly attached to the structure, lateral bracing must be provided - typically straps running at a 45 degree angle from each corner of the unit to rigid framing members and tight enough to prevent horizontal movement. Concerns about vibration must be addressed with isolation devices, not by omitting required supports. See IRC section M1307.2 for seismic support and attachment of a furnace installed within attic trusses.

GENERAL INFORMATION:

- The intent of this Tip Sheet is to provide a general understanding of the code requirements and does not address the subject in great detail.