

**MANDATORY PRE-POUR INSPECTION:**  
 FAILURE TO OBTAIN CITY INSPECTION PRIOR TO POURING CONCRETE WILL RESULT IN \$85 FINE AND CORRECTION OF ALL WORK DEEMED OUT OF COMPLIANCE WITH PERMIT.  
 CALL CITY ENGINEERING DEPARTMENT TO SCHEDULE REQUIRED INSPECTION: 360-537-3215.

**DIMENSION LIST (FILL IN BLANK DIMENSIONS):**

D	6" RESIDENTIAL, 8" MINIMUM COMMERCIAL
H1	____ (EXISTING CURB HEIGHT)
H2	____ (EXISTING CURB HEIGHT)
L1	12" GUTTER
L2	6" DEPRESSED CURB
L3	____ (EXISTING SIDEWALK WIDTH)
W1*	____ (PROPOSED DRIVEWAY WIDTH)
W2	____ (SIDEWALK RAMP LENGTH)
W3	____ (SIDEWALK RAMP LENGTH)
S1	2% SLOPE
S2	2% SLOPE
S3	1V:12H MAXIMUM SLOPE
S4**	1% MINIMUM SLOPE, 2% MAXIMUM SLOPE

\* MINIMUM WIDTH 10', MAXIMUM WIDTH 30'  
 \*\* NEW SIDEWALKS WITH CROSS-SLOPE GREATER THAN 2% SHALL BE REMOVED AND REBUILT AT APPLICANT'S EXPENSE.

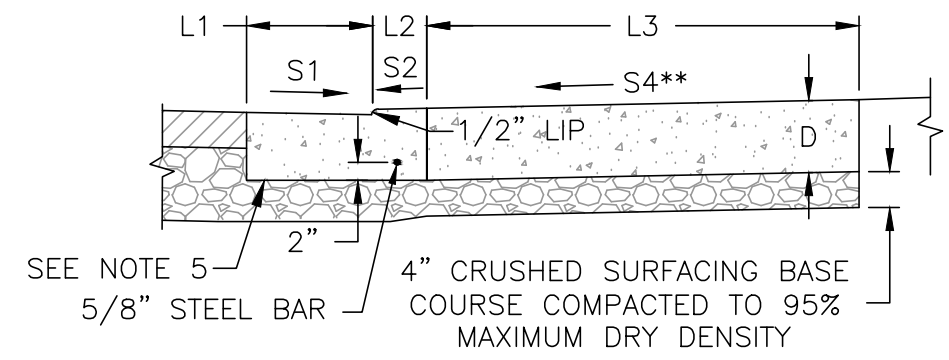
- NOTES:**
1. CONCRETE SHALL BE CLASS 4000 PER WSDOT STANDARD SPECIFICATIONS.
  2. ROUND ALL CONCRETE EDGES 1/2".
  3. WORK SHALL CONFORM WITH WSDOT STANDARD SPECIFICATIONS.
  4. WHEN DRIVEWAY WIDTH EXCEEDS 15', CONSTRUCT A FULL DEPTH EXPANSION JOINT WITH 3/8" JOINT FILLER ALONG THE DRIVEWAY CENTERLINE. (30' IS MAX WIDTH)
  5. NEW CURB AND GUTTER PER WSDOT STANDARD PLAN F-10.12-03 SHALL BE REQUIRED WHEN ABUTTING ROAD IS ASPHALT. CONCRETE GUTTER IS NOT REQUIRED ON CONCRETE ROADS.
  6. ALL CUTS SHALL BE CLEAN AND STRAIGHT BY USE OF A SAW CUTTING TOOL.

3/8' EXPANSION JOINTS PER WSDOT STANDARD PLAN F-30.10-03 (TYPICAL)

SEE NOTE 6

EXISTING SIDEWALK

MATCH EXISTING CURB HEIGHT (TYPICAL)



SECTION A-A

<p>TO BE COMPLETED BY CITY</p> <p>DRIVEWAY PERMIT NO. _____</p> <p>APPROVED BY: _____</p> <p>DATE APPROVED: _____</p>	<p><b>DRIVEWAY PERMIT STANDARD DETAIL FORM</b></p> <p>DRIVEWAY TYPE II: CURB, SIDEWALK, &amp; NO PLANTER STRIP</p> <p>CITY OF ABERDEEN ENGINEERING DEPT.</p> <p>200 E MARKET ST. ABERDEEN, WA 98520</p> <p>DRAWING IS NOT TO SCALE DRAWING VERSION 20170329</p>
---	---