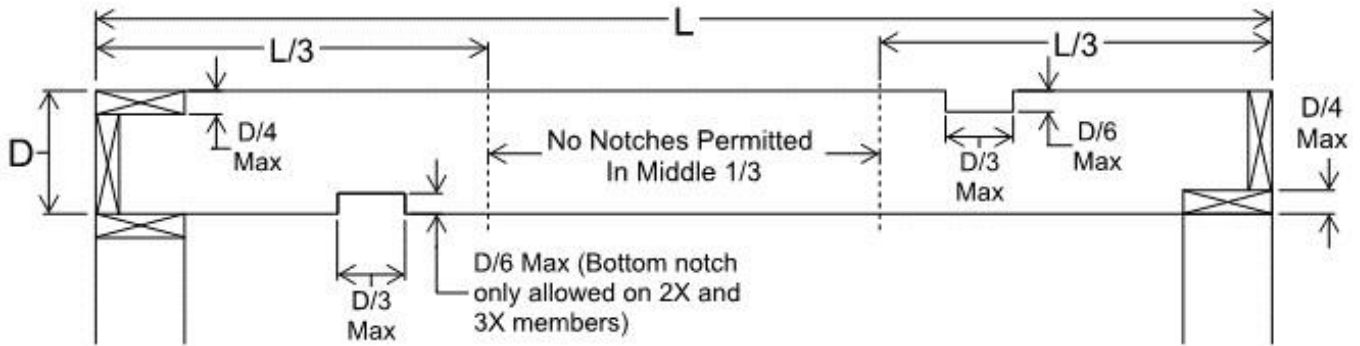
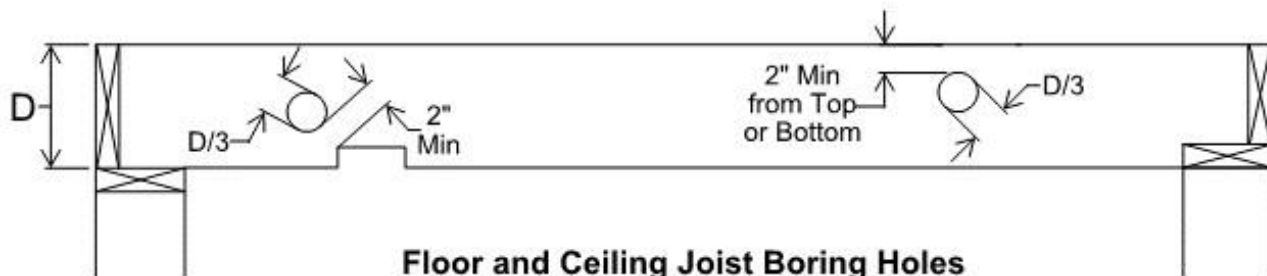




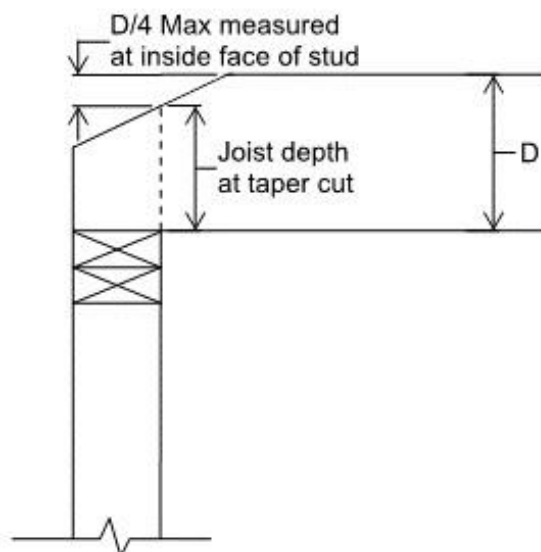
This Tip Sheet reflects code requirements of the 2015 International Residential Code (IRC) with Washington State Amendments.



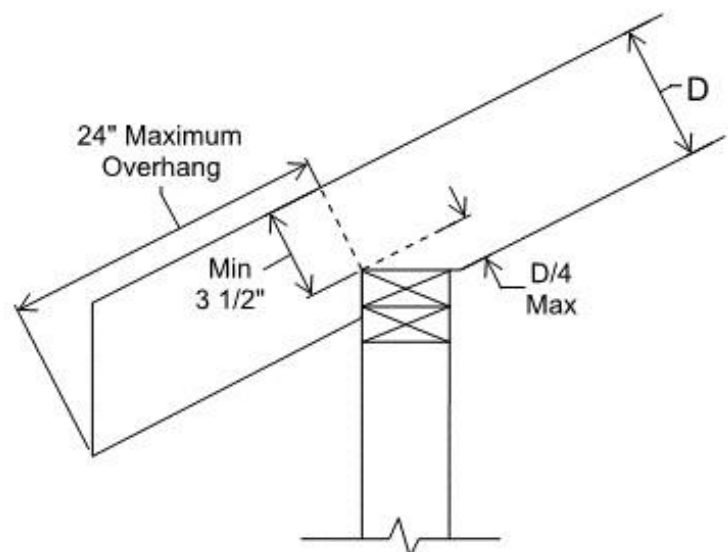
**Floor and Ceiling Joist Notching**



**Floor and Ceiling Joist Boring Holes**



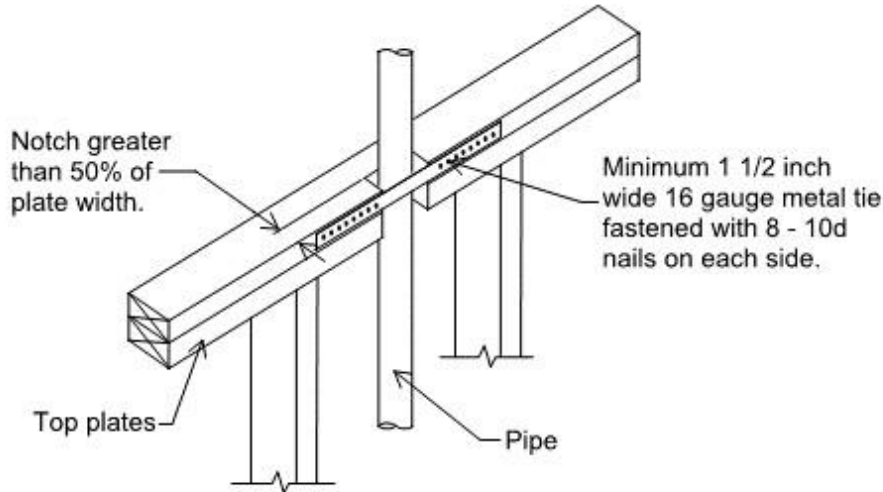
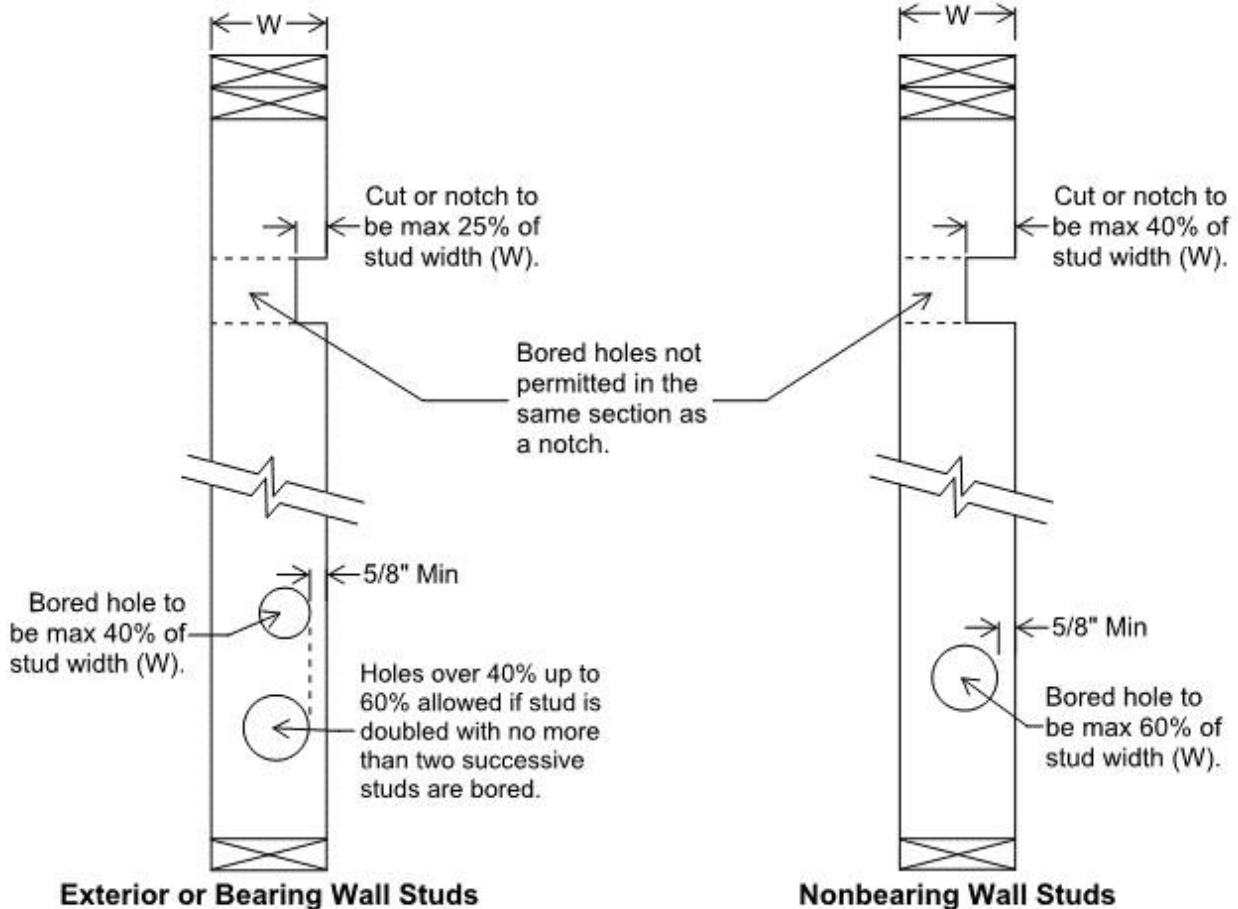
**Ceiling Joist Taper Cutting**



**Rafter Notching**

**GENERAL INFORMATION:**

- The intent of this Tip Sheet is to provide a general understanding of the code requirements and does not address the subject in great detail.



Drilling and Notching of Top Plates

GENERAL INFORMATION:

- The intent of this Tip Sheet is to provide a general understanding of the code requirements and does not address the subject in great detail.